

Multiple Video Streaming System

Introducing Multiple Video Streaming System

Multiple Video Streaming transforms the image distribution methods of conventional surveillance cameras. Images from several cameras can be viewed at once on multiple client devices. And the shared image can be controlled from each client device. The revolutionary point is that the images can be viewed from computers, tablets and smartphones.

Our Strengths

- The multiple videos and GUI parts are integrated into one image in HTML5 browser and is sent to the client device.
- Each client can operate individually because each one is assigned to its own virtual server.

Use Case Examples

Hospitality

Convention Center

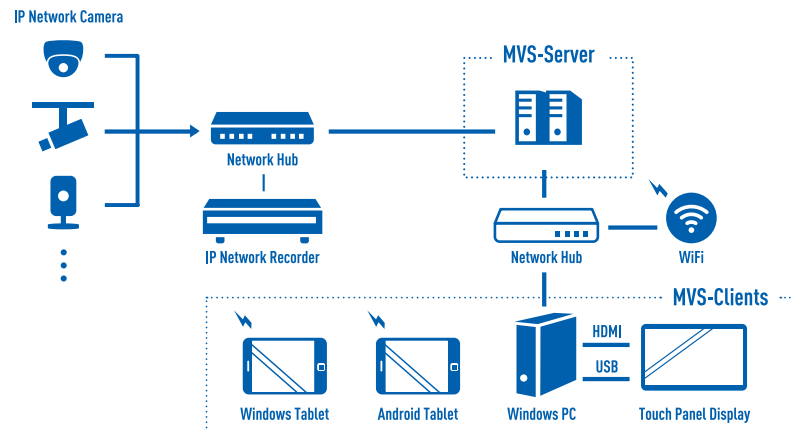
Entertainment

Even in large-scale facilities such as hotels and shopping malls, employees can oversee the entire premises using tablets and smartphones, to give customers the ultimate attention at all times.

Security is provided for the entire facilities by the use of wearable cameras. A number of security guards can walk around the facilities, and easily distribute multi-images.

In event venues, information panels such as displays can enable images of distant places to be simultaneously viewed to continually grasp their status.

System Configuration Example



The Balloon Cam

ballooncam™

Overview

“Balloon x Multi-rotor” Entertainment Solution

An entertainment tool equipped with a drone feature, wrapped in a safe and secure balloon. Demonstrating a new type of performance such as close aerial shooting and video/light, and signage on balloon body.

Provide Value

Amazing creation by utilizing balloon body

- Illuminating the balloon body and utilizing as projection screen to create a new type of performance.
- The Balloon can be utilized as signage by projecting videos or characters using inbuilt or outside projectors or LEDs.
- Ability to fly close to the audience and live feed the dynamic aerial footage.

Mobility and Long Flight Feature

- Excellent stability and mobility of the drone.
- Powered by four propellers that enable the balloon to move freely in 360 degrees direction at the event venue.
- Buoyancy of the helium used in the balloon saves energy while in flight giving long time performance results.

Safe and secure soft body

- Balloon body is safe for the audiences to touch during flight mode.
- Can fly over people and areas safely.
- An oval shaped body for a soft appearance and to create an interactive excitement.

* Market launch schedule: Under study

* ballooncam(TM) is Panasonic Corporation's trademark.



Panasonic
BUSINESS

BUSINESSENSE



Transparent Display

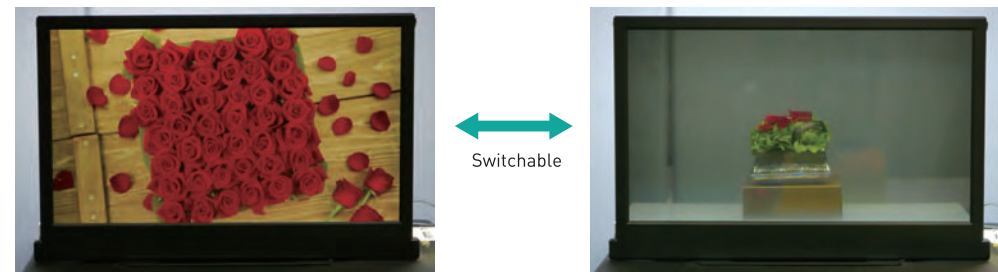
High quality signage that can switch between display and transparent modes

Benefits to customers

- Achieves high-definition picture in display mode and transparency in transparent mode.
- Transparent mode produces a sense of freedom and openness.
- Enables innovative visual expression through overlaying of video and background.

Overview

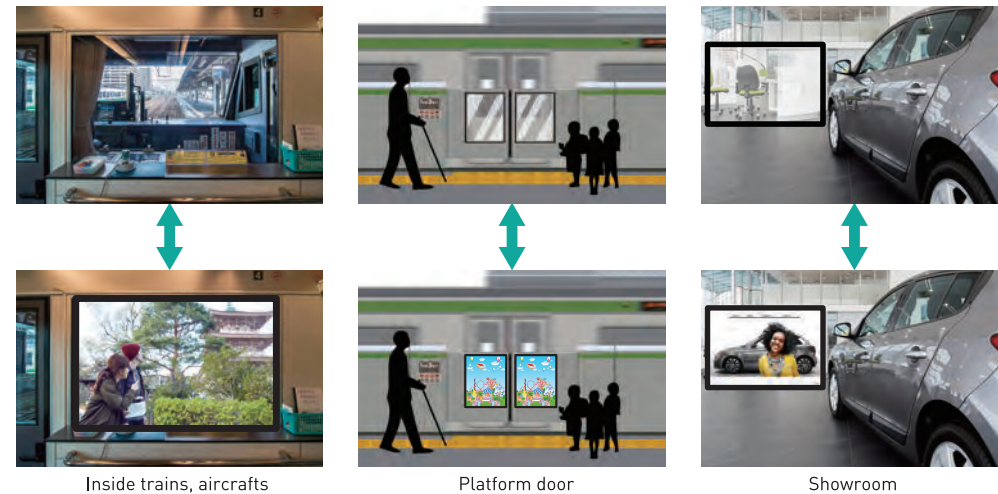
- Switchable between display mode and transparent mode.
- It can be installed either horizontally or vertically.



Display Mode: displays high-quality video

Transparent Mode: looks like transparent Glass

Proposed application example



Inside trains, aircrafts

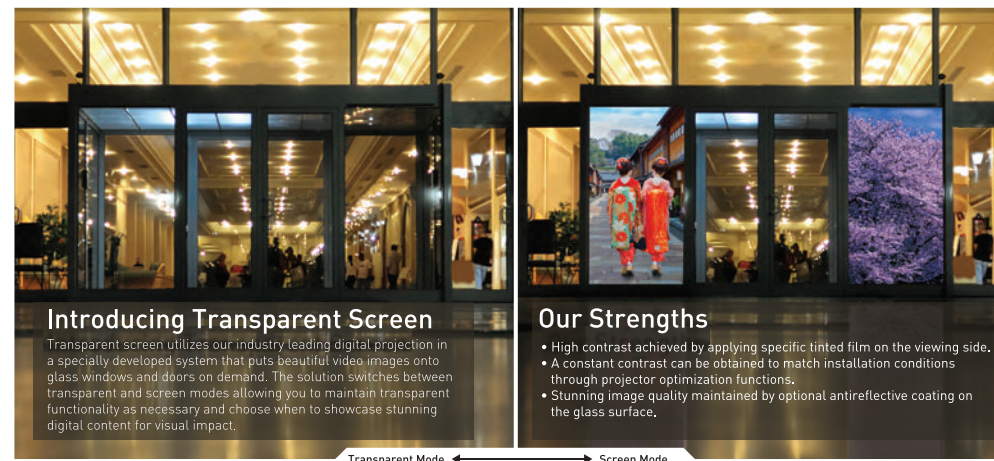
Platform door

Showroom

Transparent Screen



Transform an ordinary window into a visual showcase



Introducing Transparent Screen

Transparent screen utilizes our industry leading digital projection in a specially developed system that puts beautiful video images onto glass windows and doors on demand. The solution switches between transparent and screen modes allowing you to maintain transparent functionality as necessary and choose when to showcase stunning digital content for visual impact.

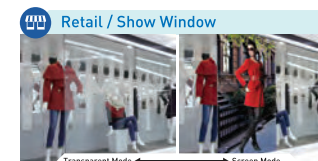
Our Strengths

- High contrast achieved by applying specific tinted film on the viewing side.
- A constant contrast can be obtained to match installation conditions through projector optimization functions.
- Stunning image quality maintained by optional antireflective coating on the glass surface.

Use Case Examples



Transform your well-stocked shop window into an exciting visual spectacle, enticing customers to your store and away from the competition. Can display the useful information in bargain season (Can display inside store in usual season).



Deliver attractive campaign offers and information for customer acquisition.



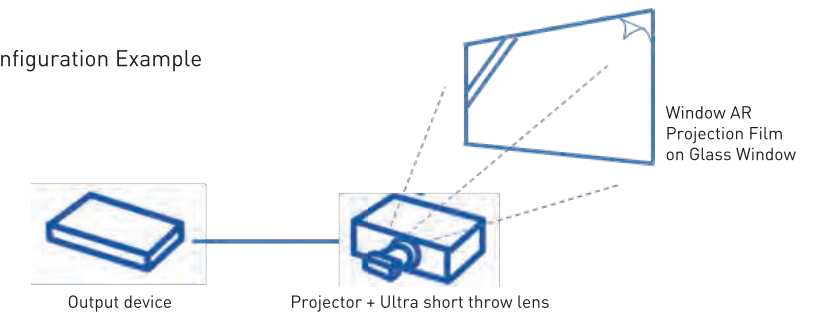
Impress your guests in a beautiful atmosphere and environment. Create changeable or flexible environments through use of contents.

Window AR Projection

Innovate what you see with Augmented Reality



System Configuration Example



Overview

Enables you to experience AR (Augmented Reality) by overlaying additional information or images on a display background.

Features

- Feasibility
 - Easy to install by just sticking the film on a glass window or doors.
- Projection Quality
 - Optimal brightness, High resolution and High transparency.
- Projection area
 - Ability to project large size images by integrating the special film on the glass using projectors.